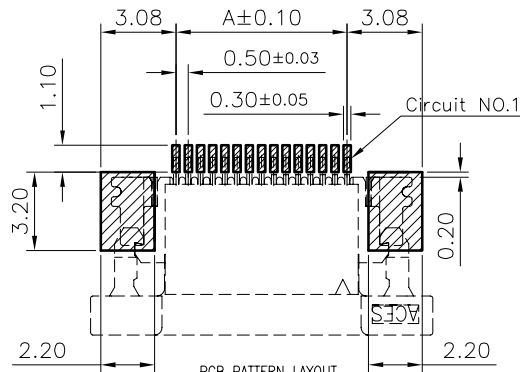
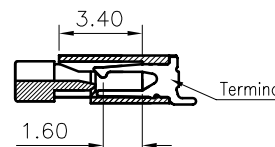


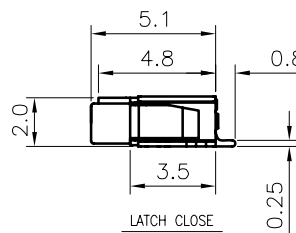
RECOMMENDED APPLICABLE FPC LAYOUT  
(THICKNESS:0.3±0.03)



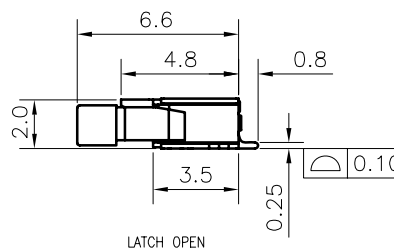
PCB PATTERN LAYOUT  
GENERAL TOLERANCE ±0.05



SECTION A-A



LATCH CLOSE



LATCH OPEN

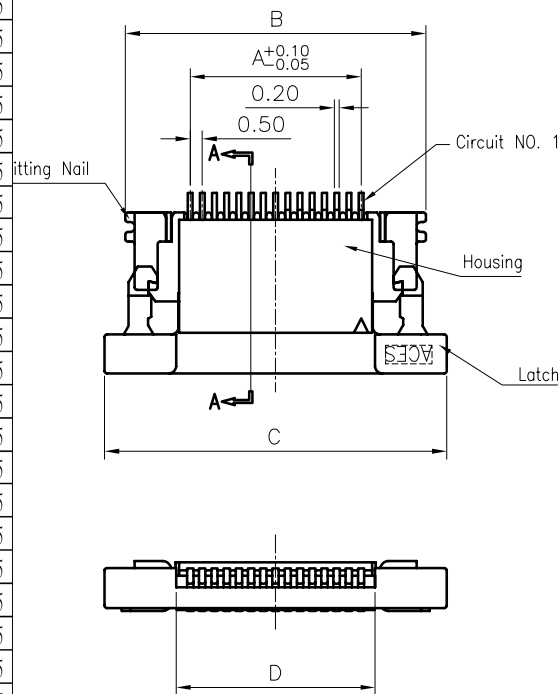
NOTES:

- MATERIAL:
  - HOUSING: THERMOPLASTIC, HIGH TEMP.,UL94V-0;
  - CONTACT: COPPER ALLOY
  - FITTING NAIL: COPPER ALLOY
  - LATCH: THERMOPLASTIC, HIGH TEMP.,UL94V-0;
- FINISH:
  - CONTACT:
    - 50u" MIN. NICKEL UNDERPLATING OVERALL.
    - 1:GOLD FLASH UNDERPLATING OVERALL.
  - FITTING NAIL:
    - 50u" MIN. NICKEL UNDERPLATING OVERALL.
    - GOLD FLASH UNDERPLATING OVERALL.
- REFLOW SOLDER CAPABLE TO 260°C PER ACES SPEC.
- SPEC. PLS. REFER TO PS-50541-XXXX-XXX
- PACKAGE PLS. REFER TO 88716-XXXX-TRP
- PART NUMBER  
50541-XXX X X-002

NO. OF CKT	XXX	Housing	Actuator
	002	Material & Color	Material & Color
		LCP & BLACK	PA9T & WHITE

- PACKING
- 0: TAPE&REEL
  - 4: Tape&Reel with Mylar
- PLATING
- 1: G/F(LEAD FREE)
  - N: Matte Tin(Lead Free)

CKT	Dim A	DimB	Dim C	DimD	CKT	Dim A	DimB	Dim C	DimD
4	1.5	6.80	8.5	2.65	35	17.0	22.30	24.0	18.15
5	2.0	7.30	9.0	3.15	36	17.5	22.80	24.5	18.65
6	2.5	7.80	9.5	3.65	37	18.0	23.30	25.0	19.15
7	3.0	8.30	10.0	4.15	38	18.5	23.80	25.5	19.65
8	3.5	8.80	10.5	4.65	39	19.0	24.30	26.0	20.15
9	4.0	9.30	11.0	5.15	40	19.5	24.80	26.5	20.65
10	4.5	9.80	11.5	5.65	41	20.0	25.30	27.0	21.15
11	5.0	10.30	12.0	6.15	42	20.5	25.80	27.5	21.65
12	5.5	10.80	12.5	6.65	43	21.0	26.30	28.0	22.15
13	6.0	11.30	13.0	7.15	44	21.5	26.80	28.5	22.65
14	6.5	11.80	13.5	7.65	45	22.0	27.30	29.0	23.15
15	7.0	12.30	14.0	8.15	46	22.5	27.80	29.5	23.65
16	7.5	12.80	14.5	8.65	47	23.0	28.30	30.0	24.15
17	8.0	13.30	15.0	9.15	48	23.5	28.80	30.5	24.65
18	8.5	13.80	15.5	9.65	49	24.0	29.30	31.0	25.15
19	9.0	14.30	16.0	10.15	50	24.5	29.80	31.5	25.65
20	9.5	14.80	16.5	10.65	51	25.0	30.30	32.0	26.15
21	10.0	15.30	17.0	11.15	52	25.5	30.80	32.5	26.65
22	10.5	15.80	17.5	11.65	53	26.0	31.30	33.0	27.15
23	11.0	16.30	18.0	12.15	54	26.5	31.80	33.5	27.65
24	11.5	16.80	18.5	12.65	55	27.0	32.30	34.0	28.15
25	12.0	17.30	19.0	13.15	56	27.5	32.80	34.5	28.65
26	12.5	17.80	19.5	13.65	57	28.0	33.30	35.0	29.15
27	13.0	18.30	20.0	14.15	58	28.5	33.80	35.5	29.65
28	13.5	18.80	20.5	14.65	59	29.0	34.30	36.0	30.15
29	14.0	19.30	21.0	15.15	60	29.5	34.80	36.5	30.65
30	14.5	19.80	21.5	15.65	61	30.0	35.30	37.0	31.15
31	15.0	20.30	22.0	16.15	62	30.5	35.80	37.5	31.65
32	15.5	20.80	22.5	16.65	63	31.0	36.30	38.0	32.15
33	16.0	21.30	23.0	17.15	64	31.5	36.80	38.5	32.65
34	16.5	21.80	23.5	17.65	65	32.0	37.30	39.0	33.15



<b>QUALITY SYMBOLS</b> MAJOR Ⓜ CRITICAL Ⓢ <b>GENERAL TOLERANCES</b> (UNLESS SPECIFIED) X. ±0.15 .X ±0.10 .XX ±0.05 .XXX ±0.02 ANGLES ±1°	DRAWN BY Yu, Wen Ying CHECKED BY DATE 18/02/01	<b>ACES ELECTRONICS</b> TITLE <b>0.5mm ZIF FPC CONN.</b> <b>SMT R/A T/C TYPE</b>	
	APPROVED BY BRAVE DATE 18/02/01		UNITS mm SCALE 2:1
	SIZE A4 SHEET NO. 1 OF 1		DWG NO. 50541-XXXXX-002 PART NO. SEE NOTES
	DATE 18/02/01		REV D